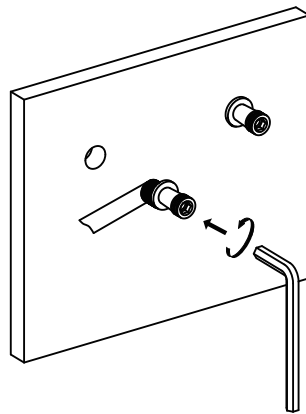
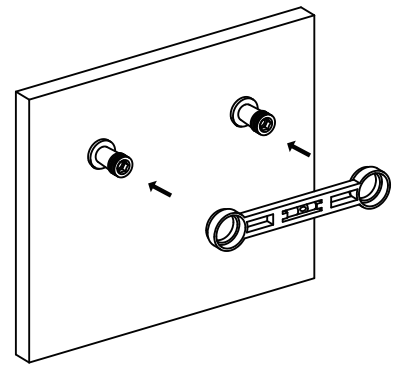


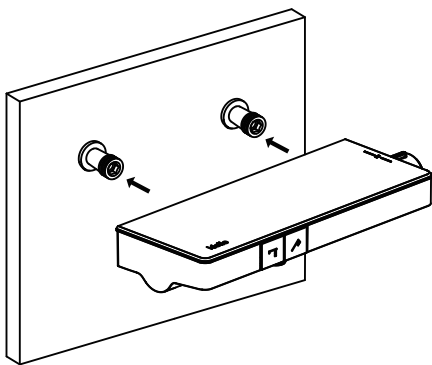
1



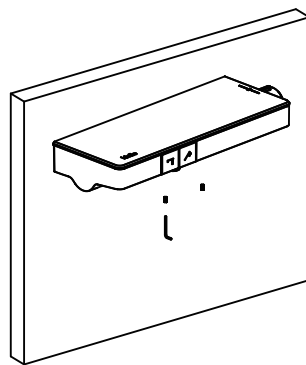
2



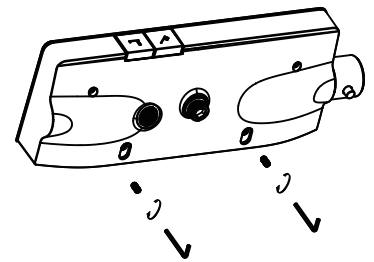
3



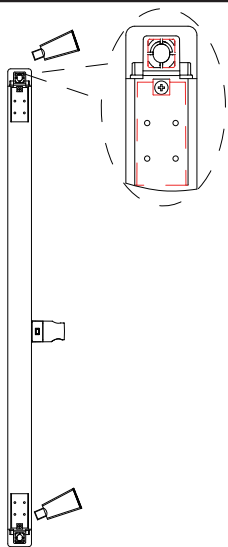
4



5



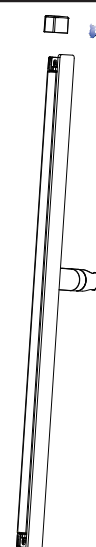
6



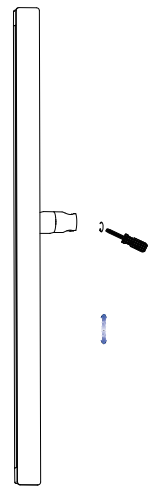
7-1



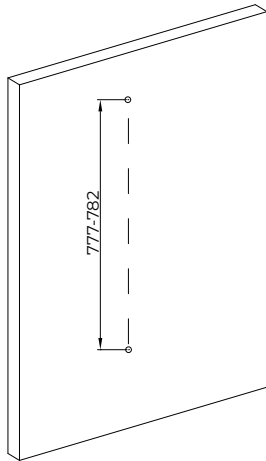
7-2



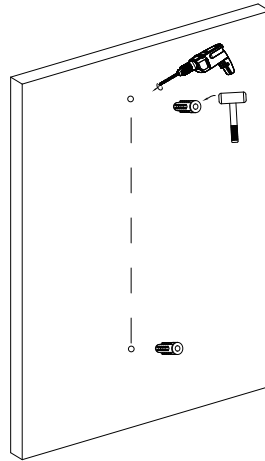
7-3



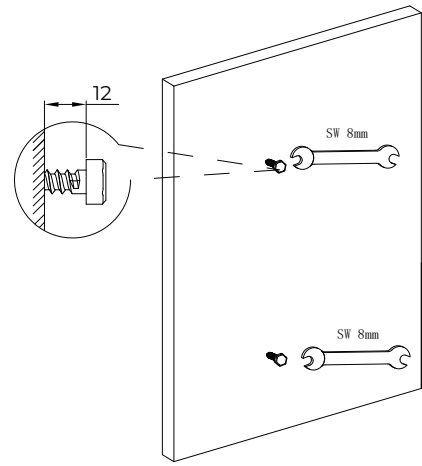
7-4



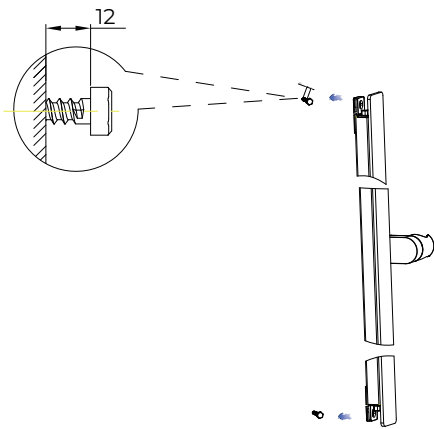
8-1



8-2



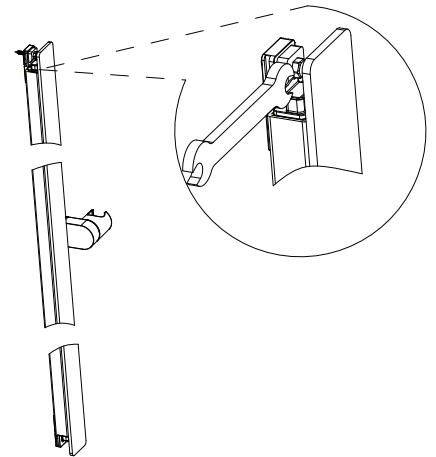
8-3



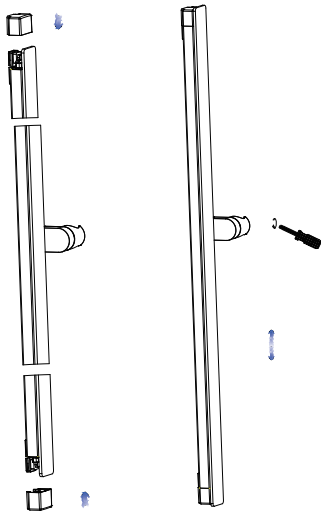
8-4



8-5



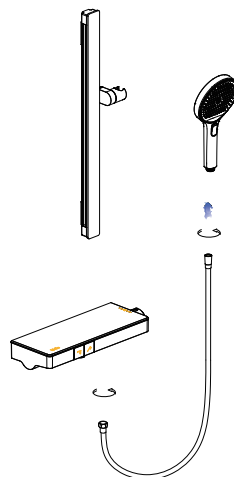
8-6



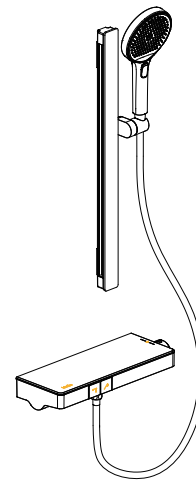
8-7



8-8

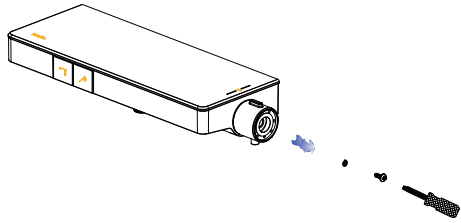


9

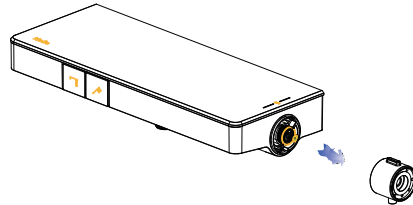


10

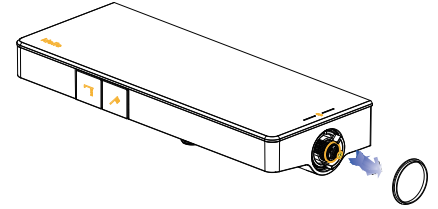
Kind reminder: The following disassembly and debugging should be operated by professional personnel, non-professional personnel are forbidden to disassemble



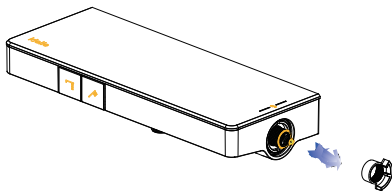
13



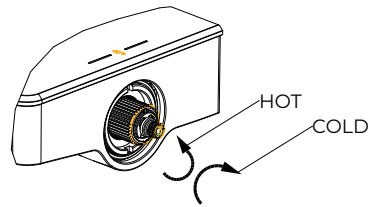
13-1



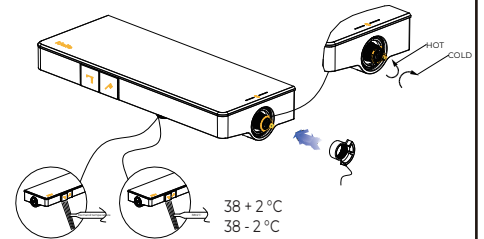
13-2



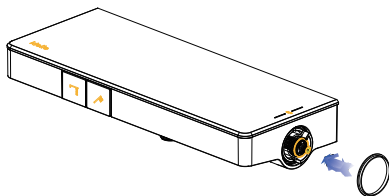
13-3



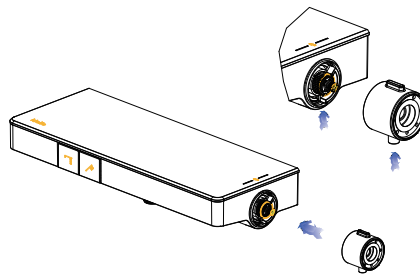
13-4



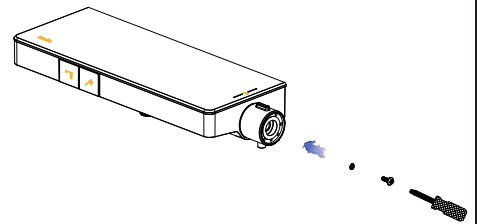
13-5



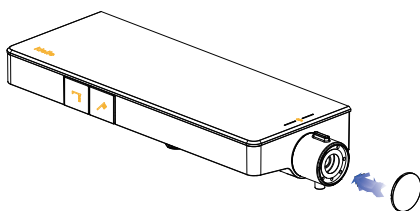
13-6



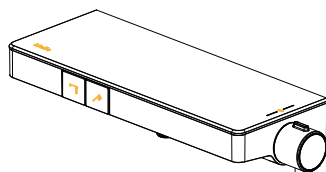
13-7



13-8



13-9



13-10

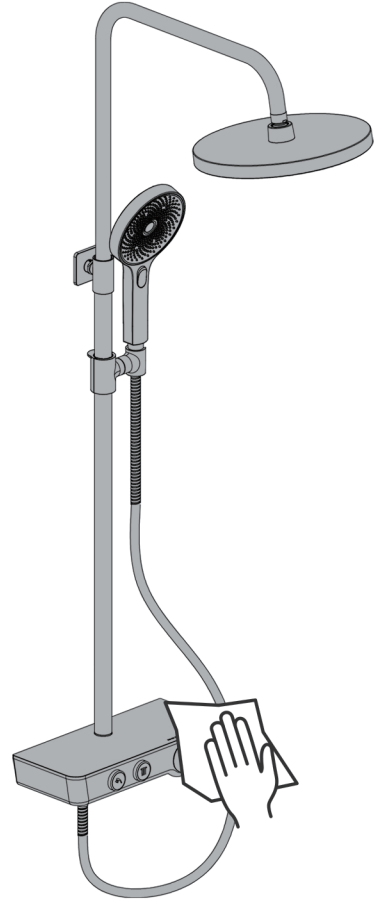
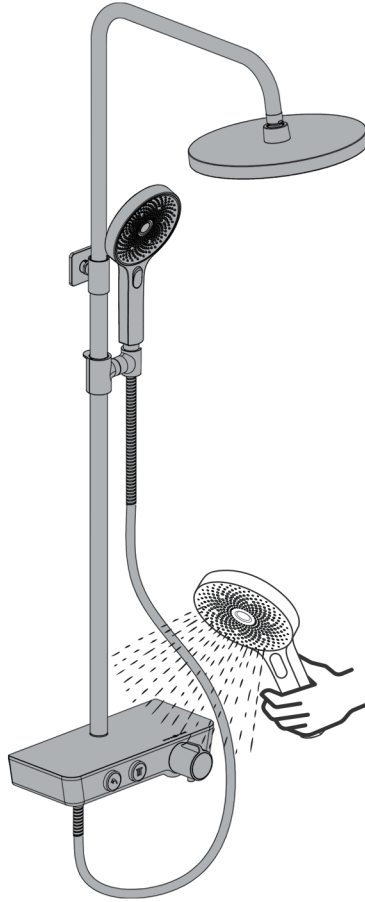
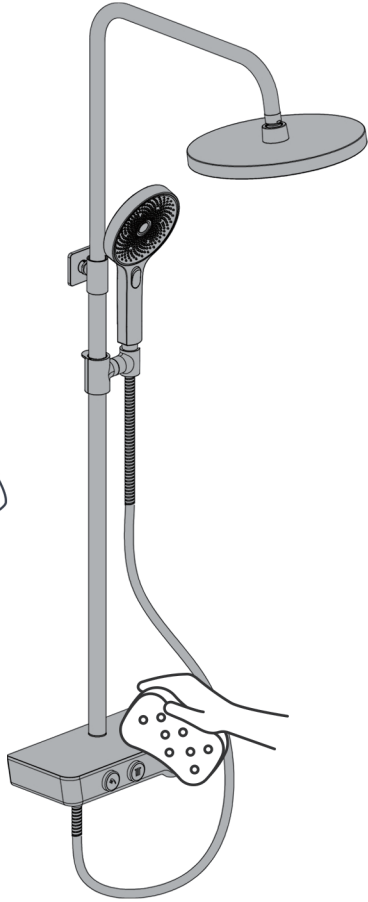
kielle

2.

3.

4.

1.

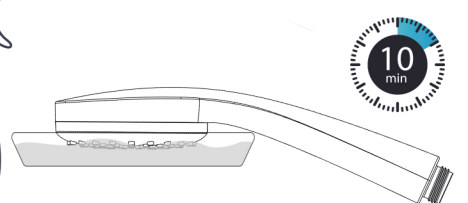
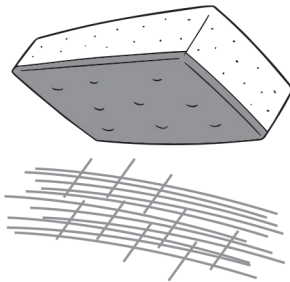
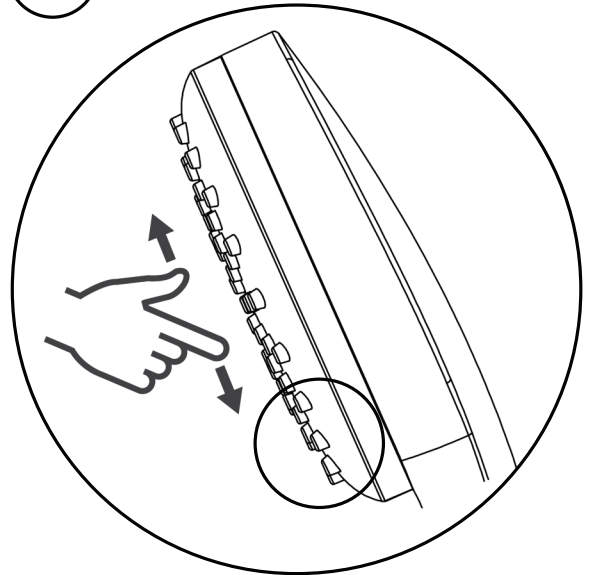


1.



2.

TIPS



10 min